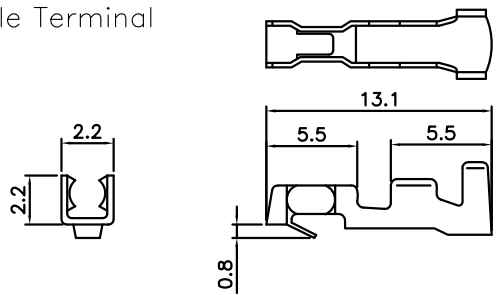


REV.	DESCRIPTION	DRAWN	CHECKED	APPROVED
A	NEW RELEASE	HP 29/06/05		

Female Terminal



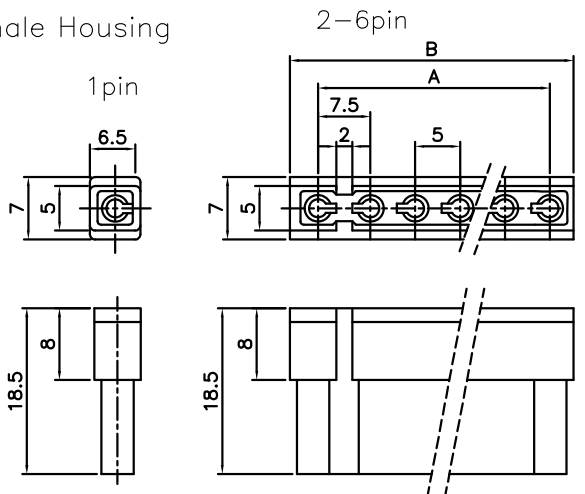
Female Terminal

Wire Range		O.D of Wire
Section Area (mm ²)	AWG#	mm
0.13~0.5	26~20	1.3~2.7

NOTES:

- MAIN SPECIFICATIONS
 - Housing material: NYLON 66
 - Wire range: AWG#26~#20
 - Rated voltage: 250V
 - Rated current: 1A
 - Contact resistance: ≤ 30mΩ
 - Insulation resistance: ≥ 1000MΩ
 - Withstanding voltage: 500V, AC 1 minute
 - Temperature range: -25 ~ +85°C
 - Recommend PC board thickness: 1.6mm

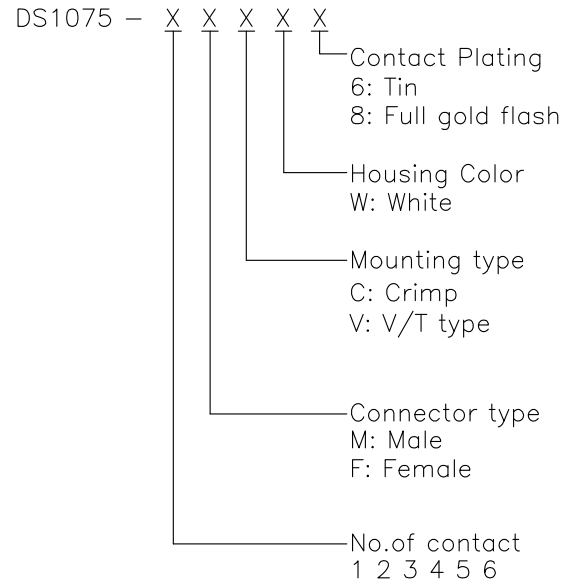
Female Housing



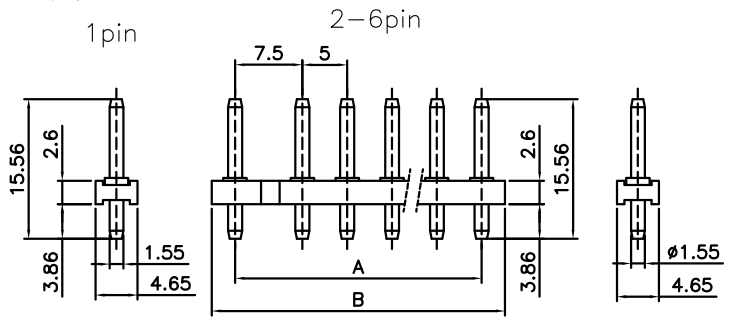
Female Housing

Position	Dimension	
	A	B
1		
2	7.5	12.5
3	12.5	17.5
4	17.5	22.5
5	22.5	27.5
6	27.5	32.5

2. PRODUCT NUMBER CODE:



Male



Male

Position	Dimension	
	A	B
1		
2	7.5	12.5
3	12.5	17.5
4	17.5	22.5
5	22.5	27.5
6	27.5	32.5

GENERAL TOLERANCE		ANGLE TOLERANCE		PROJECTION	TITLE
X. ±0.60	.X ±0.38	X. ±5°	.X ±3°	mm	P.C.B CONNECTOR 7.5-5...5mm TJC2A
.XX ±0.25		.XX ±2°		A4	SHEET SIZE
					SERIES DS1075
DRAWING TYPE	CUSTOMER				
SCALE	1:1	SHEET	1 OF 1		
DRAWING NO.	C-DS1075-XXXXX				