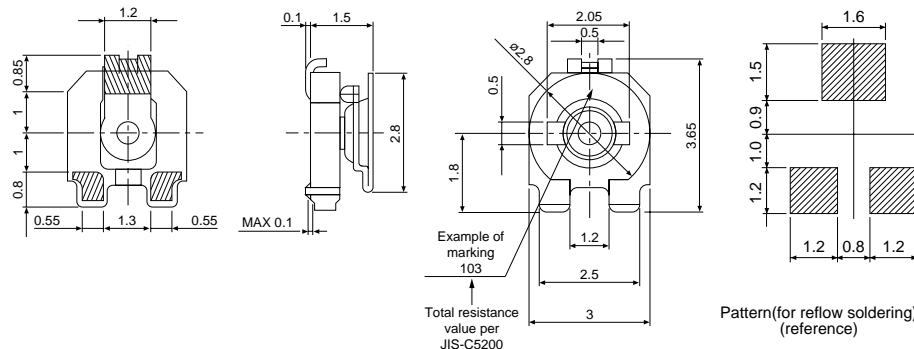
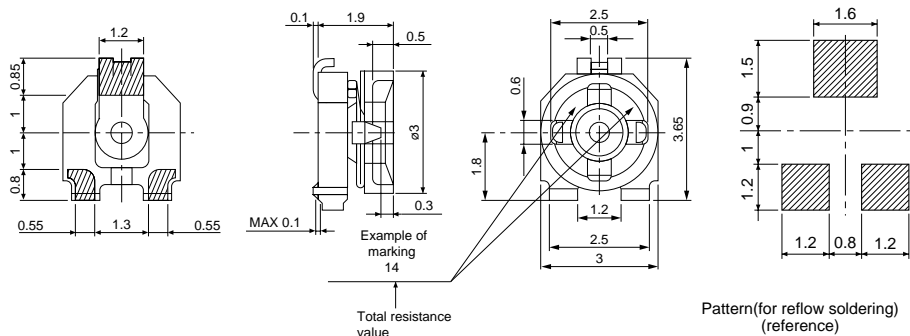


# Surface Mount Trimmer Potentiometer (Metal-glazed Type)

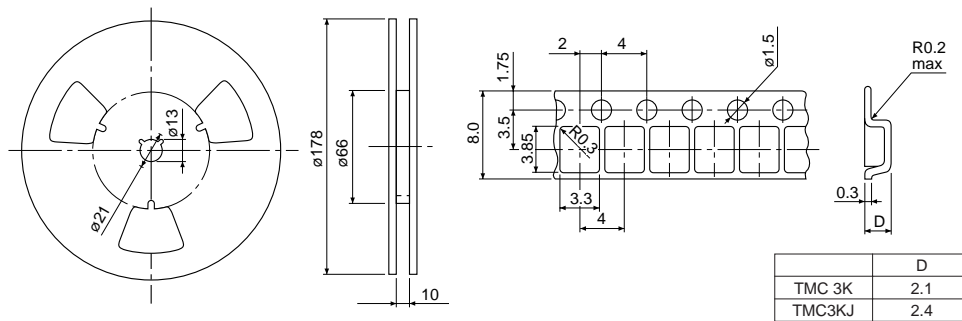
TM3JG



TM3FJ



Taping (Holds, 2000 parts)



## FEATURES

- 1.Space Saving Size
- 2.Easily adjusts with standard screwdriver.
- 3.Metal-glaze resistance element gives excellent stability and protection against environmental factors.
- 4.Can be mounted to a circuit board with adhesive.
- 5.Designed for reflow soldering.
- 6.Supplied in 8mm tape for automatic assembly equipment.

## APPLICATIONS

CAMERA built-in VCR, 8mm VCR, VCR camera, still camera, headphone stereos, LCD television, disk drive, bar code equipments, rader detectors, hand held equipments.

## SPECIFICATIONS

<b>Total Rotational Angle</b>	Endless (effective rotational angle 250 ±20°)
<b>Rotational Torque</b>	1~20mN·m(10.2~204gf·cm)
<b>Nominal Total Resistance</b>	100Ω, 220Ω, 470Ω, 1kΩ, 2.2kΩ, 4.7kΩ, 10kΩ, 22kΩ, 47kΩ, 100kΩ, 220kΩ, 470kΩ, 1MΩ, 2.2MΩ
<b>Total Resistance</b>	Within ±25% of the nominal total resistance
<b>Resistance Taper</b>	taper B(Linear)
<b>Rated Power</b>	0.1W
<b>Maximum Rated Voltage</b>	AC20V,DC20V
<b>Resistance Temperature Coefficient</b>	Within±250ppm/°C