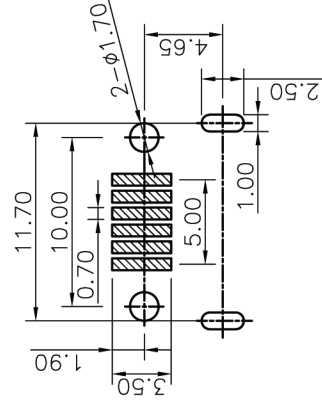
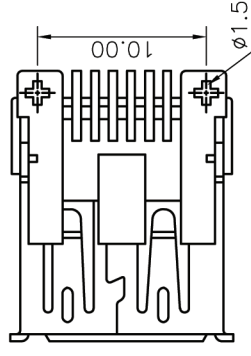
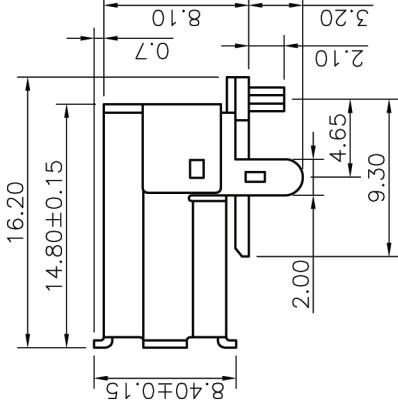
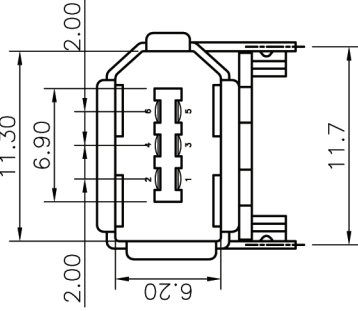
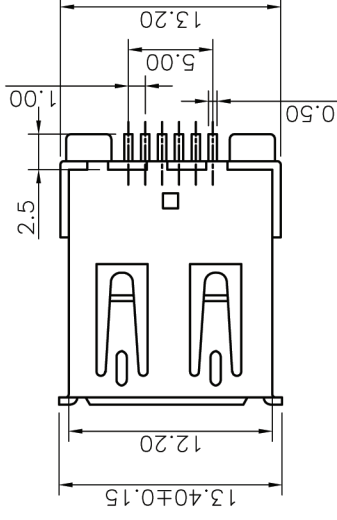


REV.	DESCRIPTION	DRAWN	CHECKED	APPROVED
A	NEW RELEASE	LL 01/13/07		

NOTES:

1. SPECIFICATIONS

- . Contact Resistance: 50mΩ max
- . Insulator Resistance: 100MΩ min.
- . Current Rating: 1.5 A.
- . Rated Voltage: 30V DC
- . Dielectric withstanding voltage: AC 100V For 1 minute
- . Contact: Copper Alloy
- . Housing: Thermoplastic(UL 94V-0)



RECOMMEND P.C.B LAYOUT(TOLERANCE±0.05)

